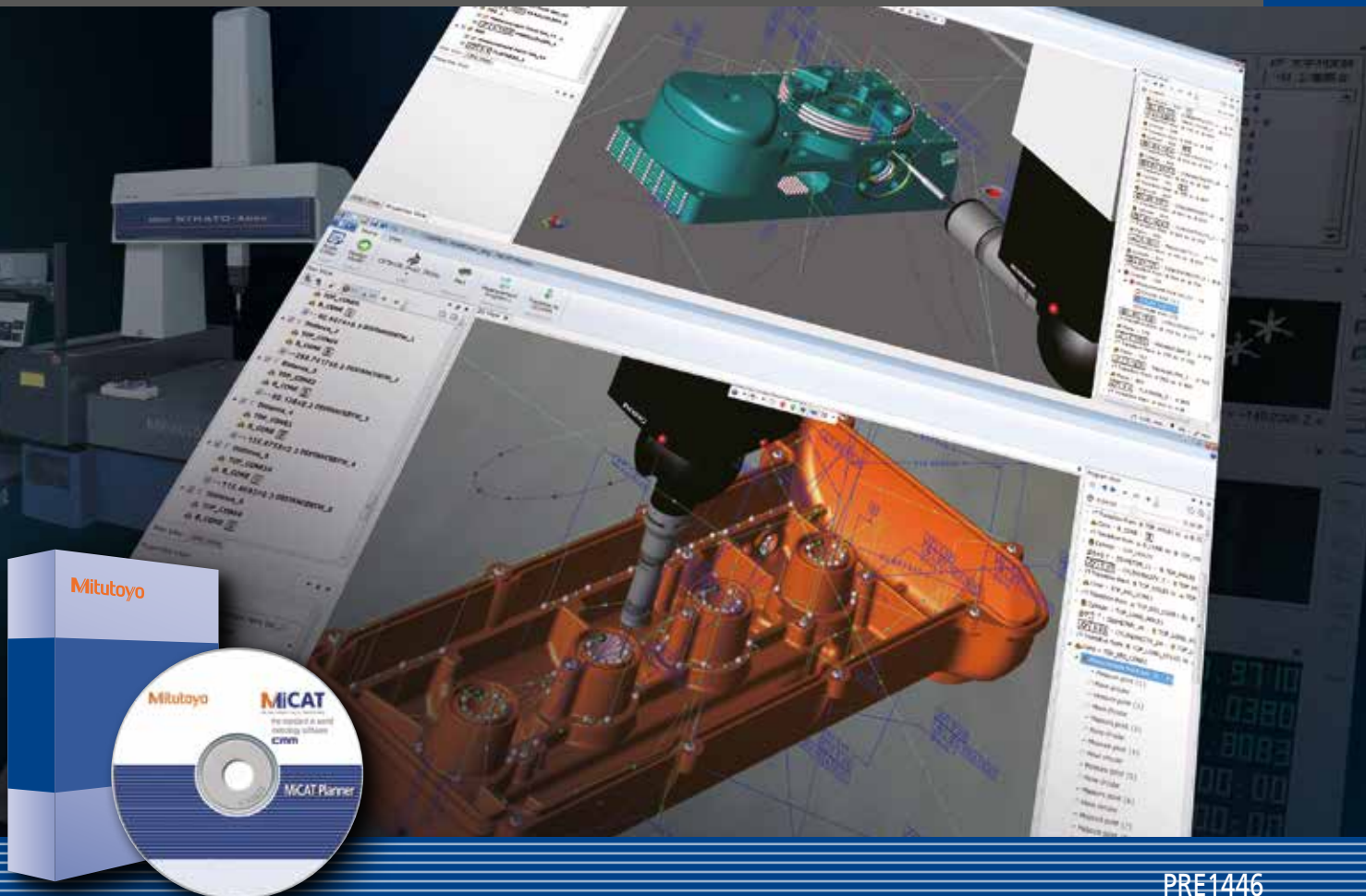


MiCAT PLANNER

EFFICIENT PART PROGRAM GENERATION

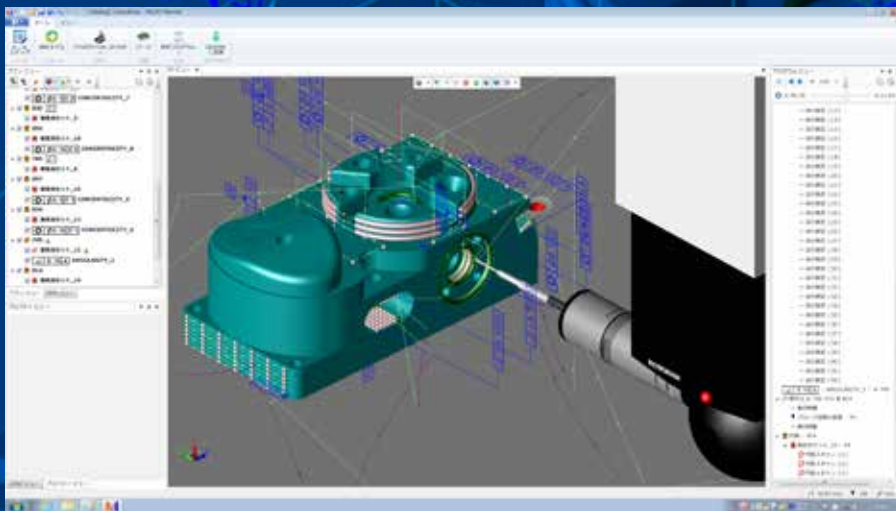
COORDINATE
MEASURING MACHINES



Part programs – easy, fast and reliable.

Creating part programs for coordinate measuring machines is a strategic and time-consuming task.

Programming in a conventional way can result in misinterpretation of design intent. Complex part programs require path optimisation in order to avoid a waste of time. Plus, the work of different programmers can result in discrepancies. Mitutoyo MiCAT Planner – the perfect antidote!



Shorter product lifecycles require rapid change to design revisions and fast programming capability;
Increasing machine up-time requires more efficient programs and reduced set-up time.

The Mitutoyo CMM programming software
MiCAT Planner meets all these demands.

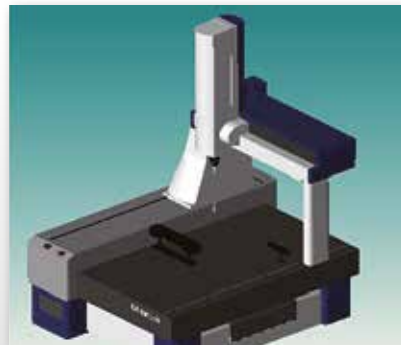
Generate your CMM part programs with unprecedented efficiency: the Mitutoyo software MiCAT Planner

The all-new Mitutoyo MiCAT Planner drastically reduces programming efforts in working out part programs for coordinate measuring machines. The software's automatic measuring program generator saves vast amounts of time and cost.

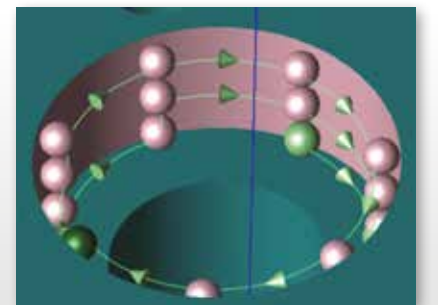
Features:

- Identifies tolerance information included in 3D models with Product and Manufacturing Information (PMI), defines measurement locations and creates a measurement program fully automatically.
- Through its optimisation function, the software estimates the shortest route for measurement with the minimum of probe repositioning and tool changing, and creates a program that enables measurement in the minimum possible time.
- Utilizing the rule editor function to set the measurement rules prevents variation in measurement quality between program writers.

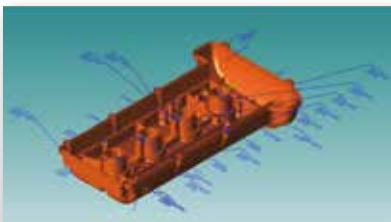
DME: Virtual model of the CMM incl. all probe configurations.



User-defined rules determine the measurement strategy automatically for each feature.



PMI: CAD file containing tolerance information.



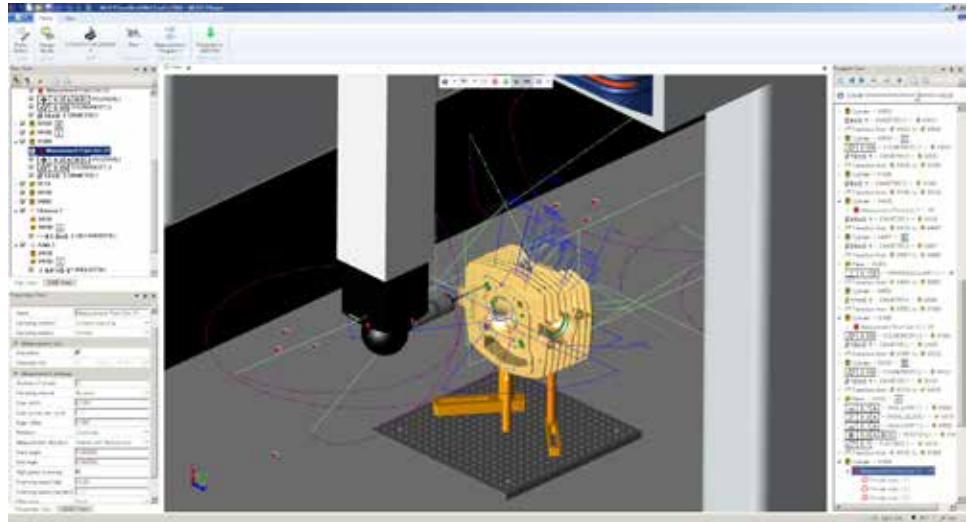
**Instant and automatic generation
of measurement programs.**



MiCAT Planner – For You!

The Mitutoyo MiCAT Planner boasts amazing performance, speed and usability. But is it suitable for your demands?

YES!



“We only work on short or midsize runs, is it really useful?”.

✓ Yes, MiCAT Planner will dramatically shorten your programming time!

“I only inspect out-sourced parts and never evaluate the same characteristics: is MiCAT Planner appropriate in this case?”

✓ Yes, MiCAT Planner will help you creating various part programs, including different features, in a twinkle!

“Our production is quite stable on long runs, we rarely need to create programs for new components on our CMM, are you sure MiCAT Planner may help? ”

✓ Yes, MiCAT Planner will definitely help because your CMM operators are not familiar with part-programming: safe, consistent and optimised part programs are guaranteed by MiCAT Planner!

“We have many CMM programmers, why should we need MiCAT Planner?”

✓ MiCAT Planner will bring you a higher quality result in your measurement tasks: thanks to the unlimited measurement rules, you can trust the program will always be developed the same way, whoever creates it!

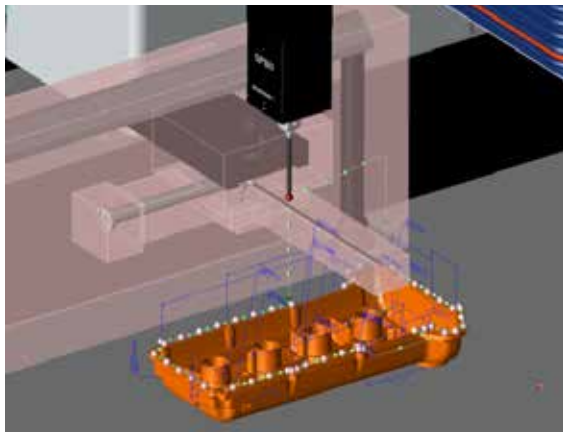
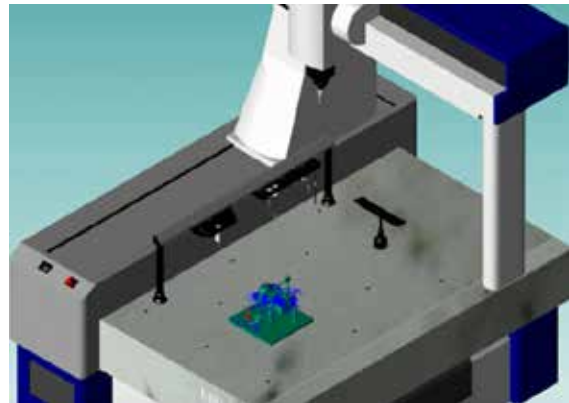
Regardless of your measuring tasks, MiCAT Planner adds an abundance of benefits to your CAD-based programming.

Real CMM Configuration



The program acquires the current actual CMM configuration from the CMM driving software MCOSMOS.

All racks and probes of the machine are exactly represented and taken into account, exactly as they are.



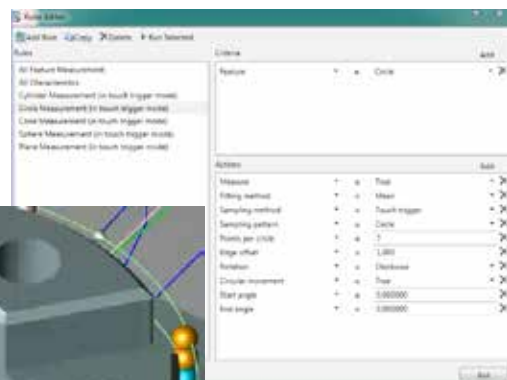
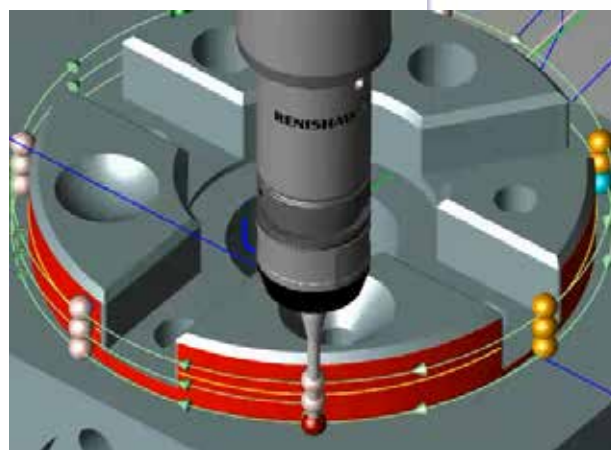
MiCAT Planner selects the best-suitable probe configuration for each feature under consideration of the customised measuring rules.

This virtual reality allows the automatic avoidance of each rack zone. Even long styli can be avoided when hanging in the rack, intruding in the measuring volume.

Measurement Strategy

One of the main benefits you obtain from MiCAT Planner, is the compliance to measuring rules you may set as you need.

Depending on the feature type, size or other criteria, you may decide the number of measuring points, their distribution, and even the scanning speed when applicable.

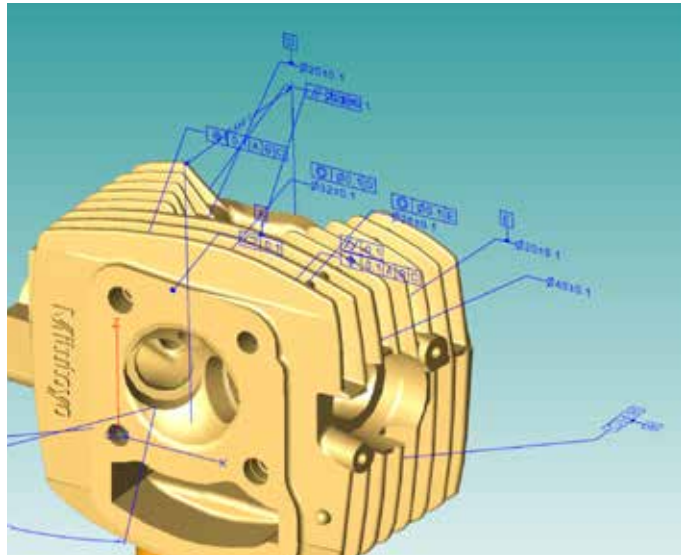


Several sets of rules can be applied simultaneously, for example according to the component manufacturing method or the customer for which you produce it.

CAD Data Information: Automatic or Manual

After importing the CAD model, either all required features and GD&T are available thanks to the PMI data (Product Manufacturing Information) or they are partly or totally missing.

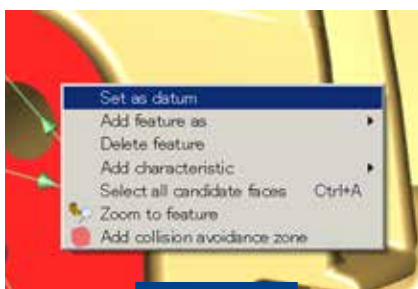
When using a CAD model including PMI Data, all required features and characteristics to be evaluated are instantly displayed and available: automatic part program generation can start right away!!



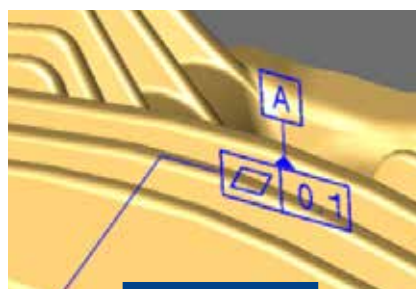
Add feature



Add characteristic



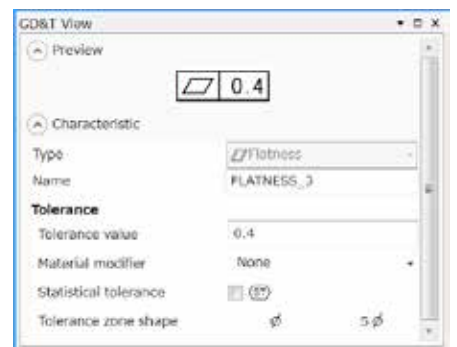
Add datum



Display result

In case the CAD model lacks features and characteristics, manual inputs are easy and quick thanks to the GD&T wizard.

Edition of tolerance values is also available.



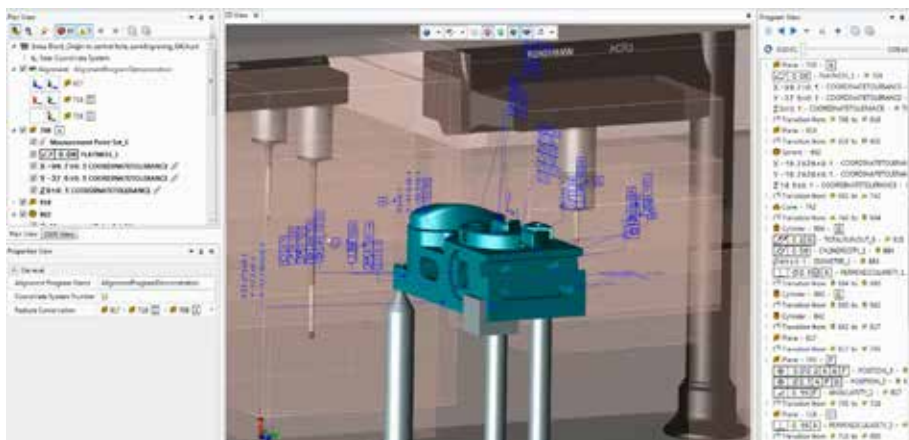
Automatic Part Program Generation!



Once all features and characteristics to be evaluated are validated and approved by the CMM programmer, the part-program is generated automatically.

The plan view (left) is detailed in the program view (right), and both are synchronized with the 3D view (center).

When you select a feature or characteristic in any of these views, MiCAT Planner clearly indicates where you are in the two other views.

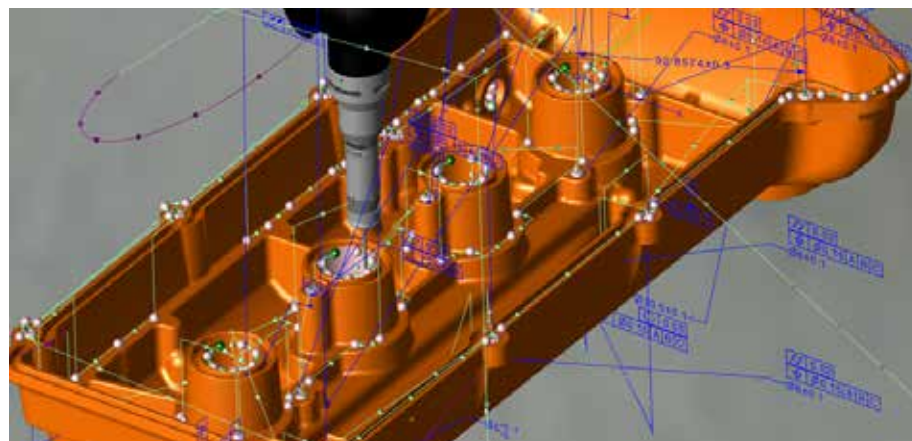
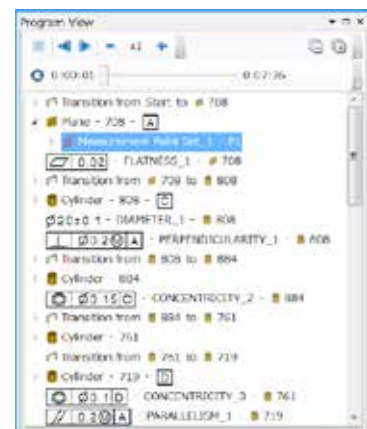


If required, a missing feature (not identified on the CAD model) or a missing characteristics to be evaluated can be manually added from the 3D view.

Safe GD&T Interpretation

CAD designed components are more and more defined by form and position symbols according to international standards.

However, depending on the individual programmer skill level, it may lead to different or inconsistent interpretation in the part program strategy.



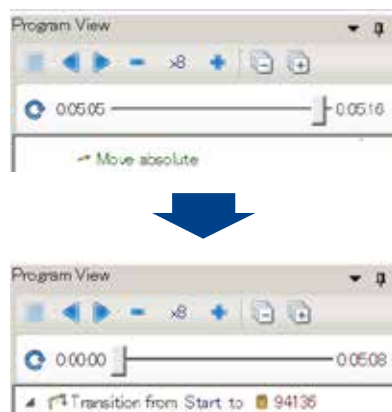
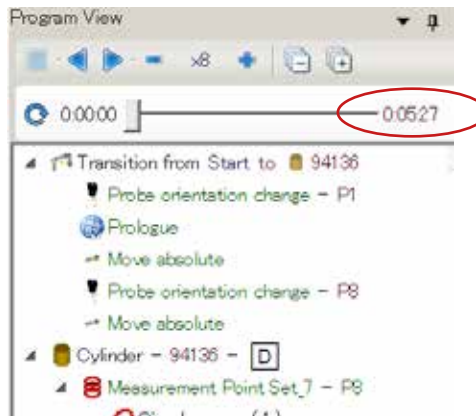
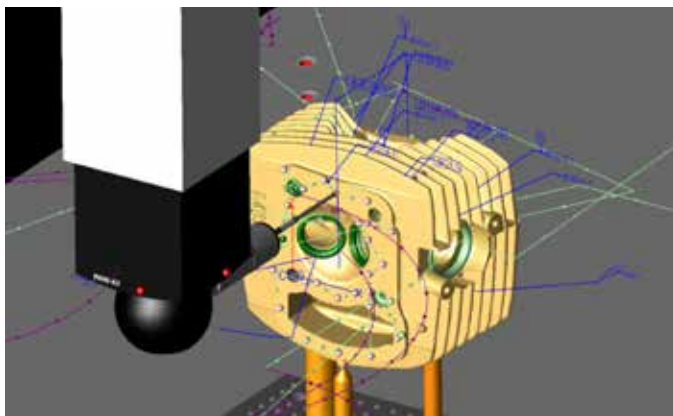
MiCAT Planner prevents from any misinterpretation risk: each GD&T symbol, tolerance and datum is automatically understood and converted in the corresponding required measurement points. In the program view, all GD&T are shown in regards to the feature to be measured for calculating the result.

Cycle Time Optimisation

When programming manually, the programmer creates a cycle following the required features for calculating the expected results.

Very frequently, this results in unnecessary CMM movements and inappropriate probing paths. Consequently, it may waste a precious time better used for effective measuring tasks.

First MiCAT Planner generates the probing path according to the feature's list order, and then optimises it according to best strategy, avoiding redundant probe change or movement.



Furthermore, MiCAT Planner automatically estimates the measuring cycle time according to the actual CMM configuration and settings. For example, the required time for exchanging a probe in the rack, or the specified scanning speed in your measurement rules are considered for this time estimation. Immediately after the cycle optimisation calculated, the estimated new cycle time is displayed.

Return On Investment

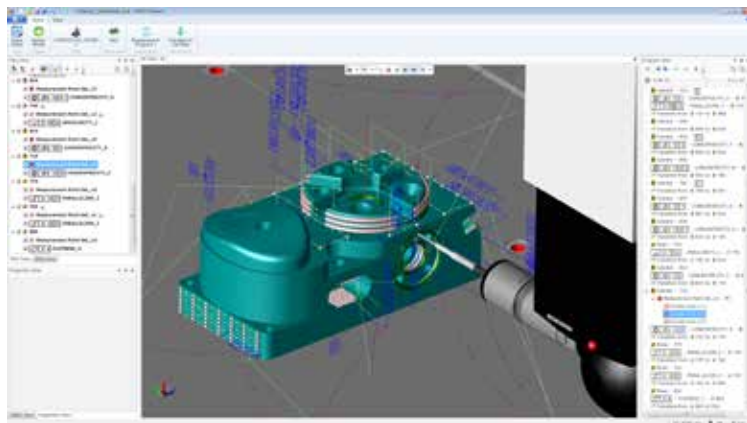
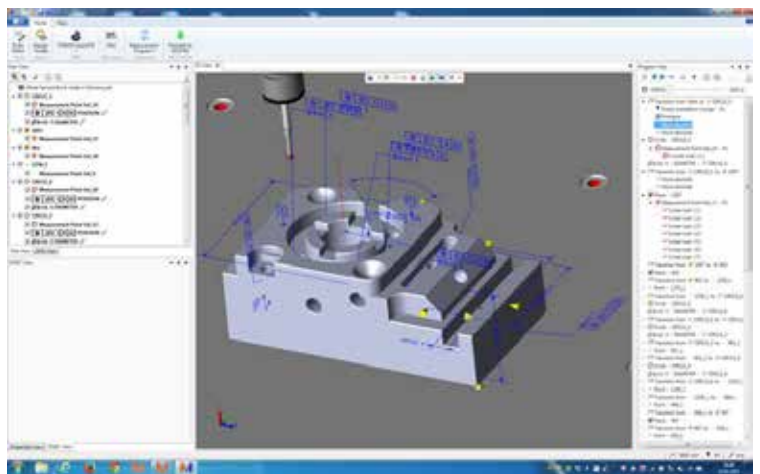
Using MiCAT Planner means saving your programming time, and time is money. But how much saving can you expect?

Two different scenarios display your savings potential.

CAD model without PMI Data

- Number of measured features = 17
- Number of evaluated characteristics = 22
- Programming time with MCOSMOS = 51'
- Programming time with MiCAT Planner = 23'

Time saving = 28'
→ 55%



CAD model with PMI Data

When PMI Data are imported (GD&T) the number of features and characteristics has a very low influence on the part-program generation time.

In this example:

- with MCOSMOS = 43'
- with MiCAT Planner = 3'

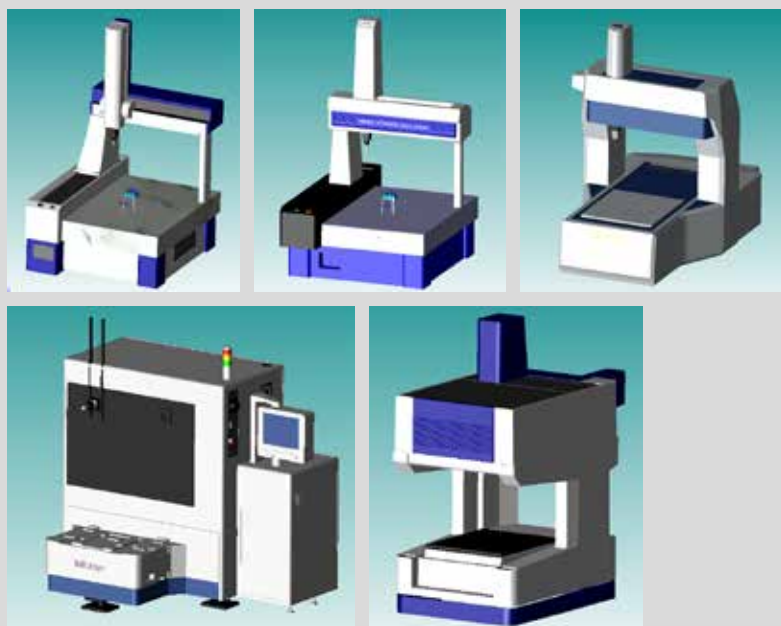
Time saving = 40'
→ 93%

Supported Hardware



Mitutoyo CMMs

- CRYSTA series
- STRATO series
- LEGEX series
- MACH-3A
- MACH-V



Probe system

Touch trigger probes

- TP200/TP20/TP2
- TP7M

Contact scanning probes

- MPP310 / MPP100
- SP25M
- SP600M/SP600Q
- SP80

Probe head

- PH10M/PH10MQ/PH10T
- PH6M

Auto-change racks

- ACR3(4 ports/8 ports)
- FCR25
- MCR20
- SCR200
- SCR600
- SCR6
- SCP80

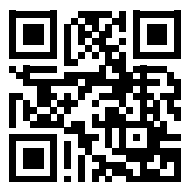




**Whatever your challenges are,
Mitutoyo supports you from start to finish.**

Mitutoyo is not only a manufacturer of top quality measuring products but one that also offers qualified support for the lifetime of the equipment, backed up by comprehensive services that ensure your staff can make the very best use of the investment.

Apart from the basics of calibration and repair, Mitutoyo offers product and metrology training, as well as IT support for the sophisticated software used in modern measuring technology. We can also design, build, test and deliver bespoke measuring solutions and even, if deemed cost-effective, take your critical measurement challenges in-house on a sub-contract basis.



**Find additional product literature
and our product catalogue**

www.mitutoyo.eu

Note: Product illustrations are without obligation. Product descriptions, in particular any and all technical specifications, are only binding when explicitly agreed upon.
MITUTOYO, LEGEX, MACH, MCOSMOS and MICAT are either registered trademarks or trademarks of Mitutoyo Corp. in Japan and/ or other countries/regions.

Other product, company and brand names mentioned herein are for identification purposes only and may be the trademarks of their respective holders.

Mitutoyo

Mitutoyo Europe GmbH

Borsigstraße 8-10
41469 Neuss

Tel. +49 (0) 2137-102-0

Fax +49 (0) 2137-102-351

info@mitutoyo.eu

www.mitutoyo.eu